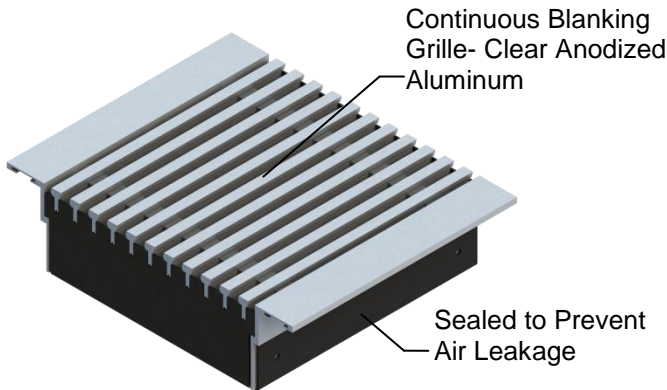


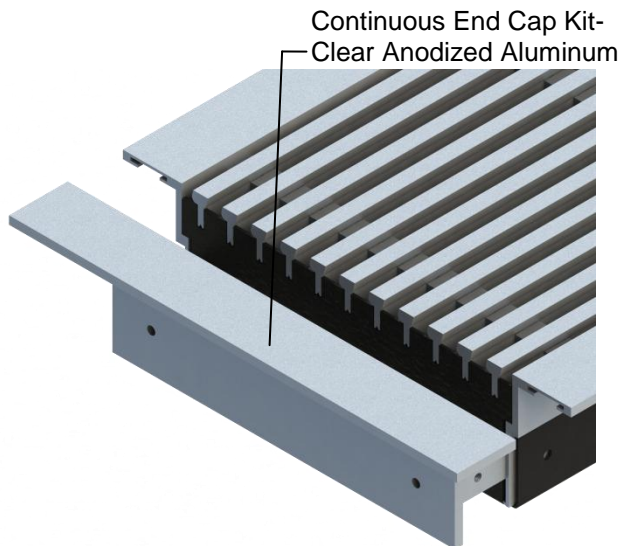
## SPECIFICATIONS



### Continuous Blanking Grilles TCBGRXX

#### General Information

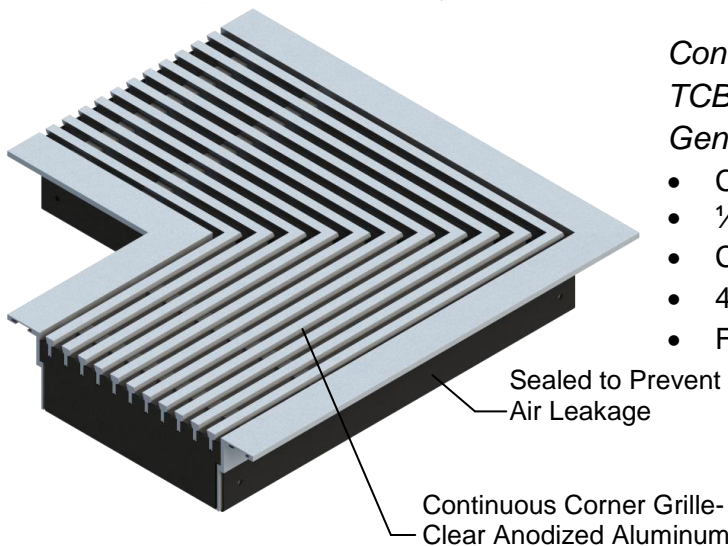
- Available in 8", 1', 2', 3', 4', 5' and 6' Lengths
- Continuous Grille Appearance Along a Continuous Chilled Beam Installation
- 2 x Grille Alignment Clips
- 1/4" Wide Vanes
- Clear Anodized Aluminum Finish
- Foam Cell Wall Gasket



### Continuous End Cap Kit TCBEK

#### General information

- Terminate a Run of Continuous Grille Length
- Clear Anodized Aluminum Finish



### Continuous Corner Grille Kit TCBCG

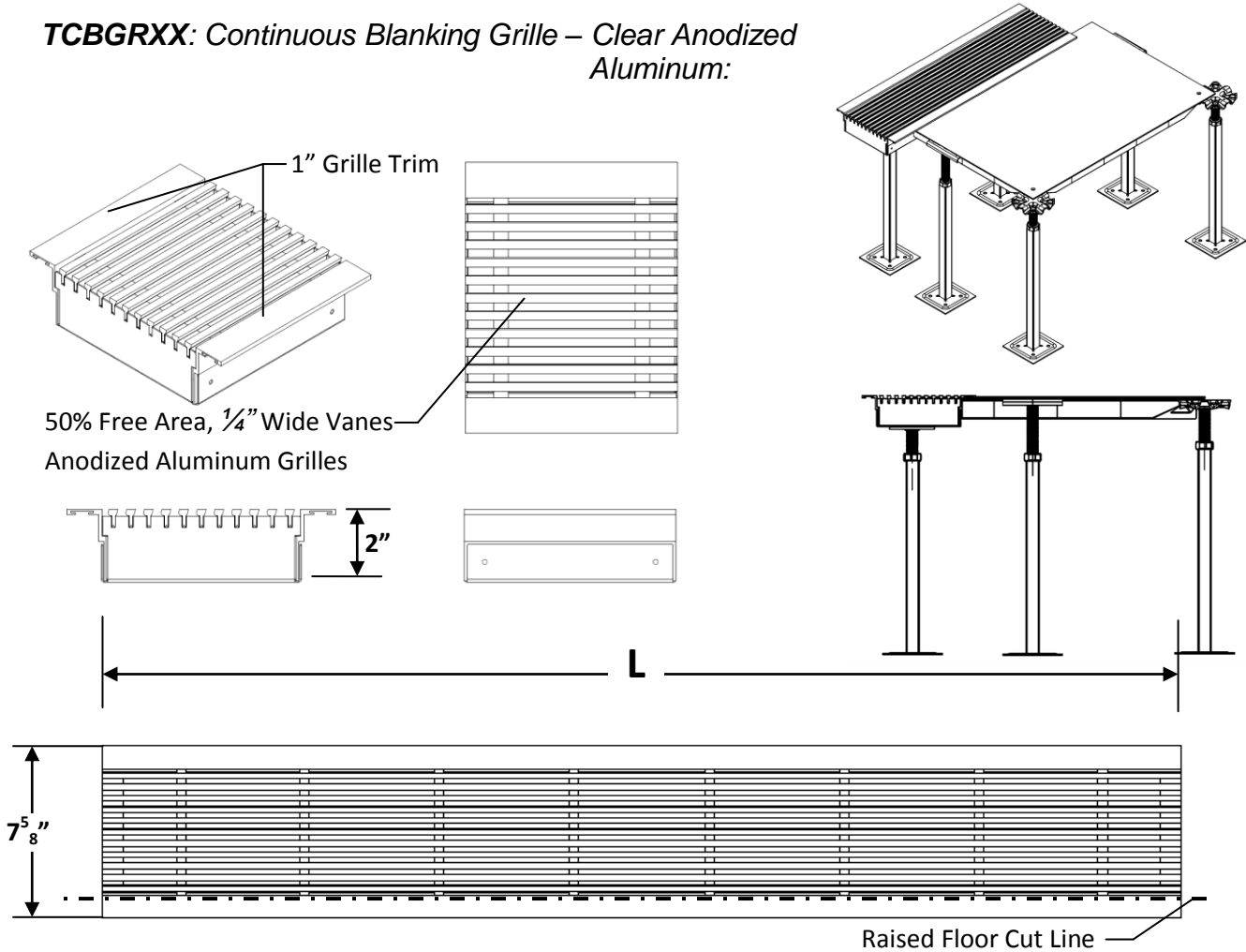
#### General information

- Continuous Grille Appearance Around a Corner.
- 1/4" Wide Vanes
- Clear anodized Aluminum Finish
- 4 x Grille Alignment Clips
- Foam Cell Wall Gasket

## DIMENSIONS

Drawings (not to scale):

**TCBGRXX: Continuous Blanking Grille – Clear Anodized Aluminum:**



| Model                | 08 | 1  | 2  | 3  | 4  | 5  | 6  |
|----------------------|----|----|----|----|----|----|----|
| Length (L):          | 8" | 1' | 2' | 3' | 4' | 5' | 6' |
| Recommended Supports | 2  | 2  | 2  | 2  | 2  | 3  | 3  |

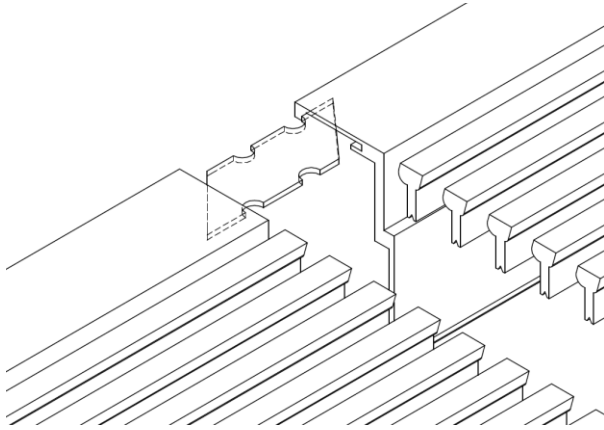
Note: Blanking Grilles are all 1" Continuous 2-Sided Trim

## TCBGR

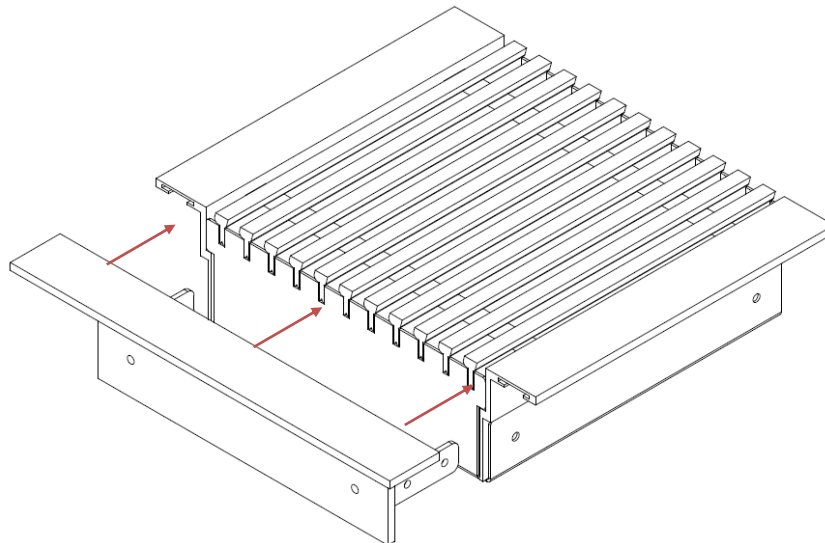
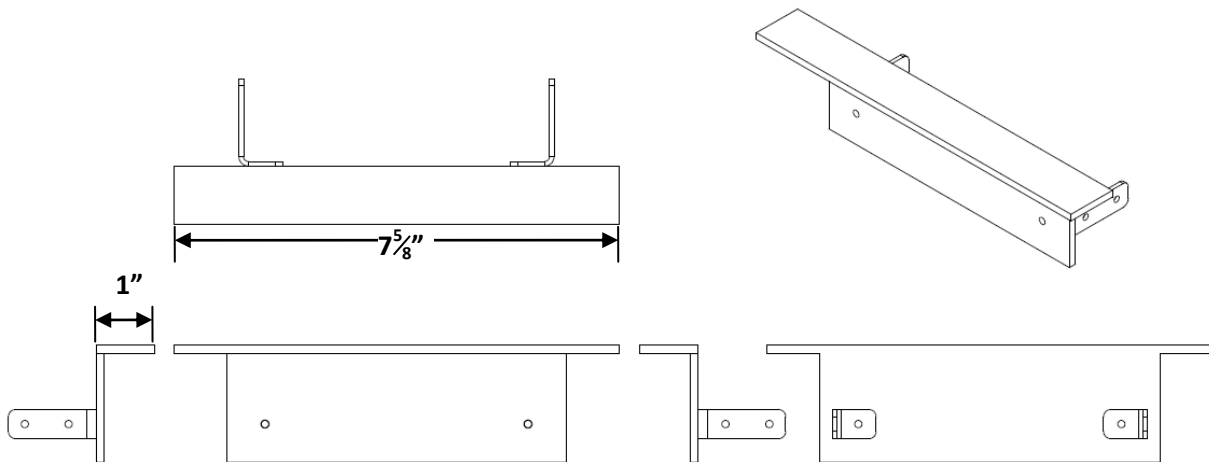
Part Numbers:

|                    |                   |
|--------------------|-------------------|
| <b>08:</b> 8" Long | <b>4:</b> 4' Long |
| <b>1:</b> 1' Long  | <b>5:</b> 5' Long |
| <b>2:</b> 2' Long  | <b>6:</b> 6' Long |
| <b>3:</b> 3' Long  |                   |

## Grille Alignment Clips



**TCBEC: Continuous End Cap Kit – Clear Anodized Aluminum:**



**TCBCG: Continuous Corner Kit – Clear Anodized Aluminum:**

